

V70 (00-08), 2004, B5244S2, M56, L.H.D, YV1SW65S241436824, 436824



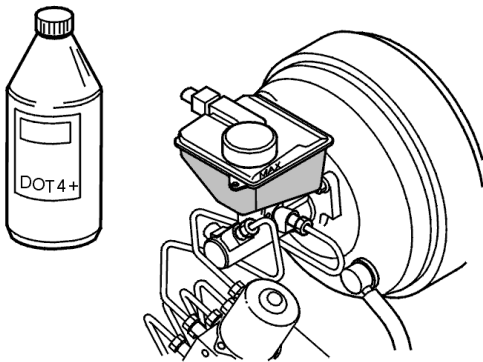
16/7/2018

PRINT

## Brake system, bleeding (using bleeding unit)

**Note! Bleeding an  
ABS brake system  
takes longer than  
bleeding a normal  
brake system.**

### Guidelines for bleeding



When reconditioning or replacing brake callipers bleed the relevant brake pipe as follows.  
The brake pedal must be depressed throughout the operation. This is so that the brake system is not drained of brake fluid.

If the braking system has been completely or partly drained, bleed the whole system. A bleeding unit that can pressurize the brake system to 0.2-0.3 Mpa must be used.

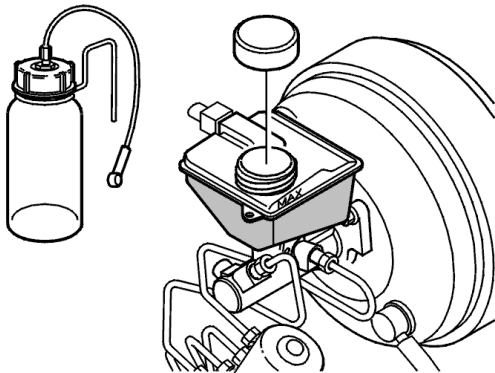
**Note! Use only Volvo Genuine Parts brake fluid (Volvo DOT 4+). Never reuse brake fluid. Always keep brake fluid well sealed in its original packaging.**

### Preparations

Switch off the ignition.

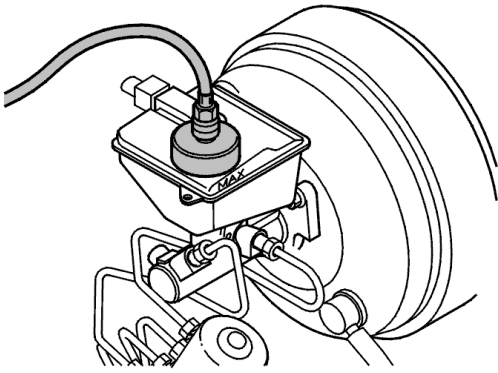
Clean around the brake fluid reservoir filler cap.

Take out the special brake fluid collection bottle.



### Connect the bleeding unit

Connect bleeding unit to brake fluid



reservoir. Follow manufacturer's instructions for connecting and using bleeding unit.

Pressurize the brake system. Check the brake fluid reservoir connector.

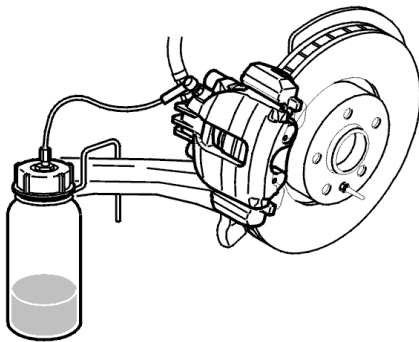
### **Raise the car and remove the wheels**

#### **Bleeding left front wheel (right wheel on right-hand drive)**

Remove the protective cap from the bleed nipple. Connect the hose from the collection bottle.

Open the bleed nipple. Close it when there are no more air bubbles in the fluid coming out of the hose. Tighten the bleed nipple.

Remove the hose from the bleed nipple. Reinstall the protective cap.



#### **Bleeding other wheels Continue to bleed the other wheels as for the left front wheel**

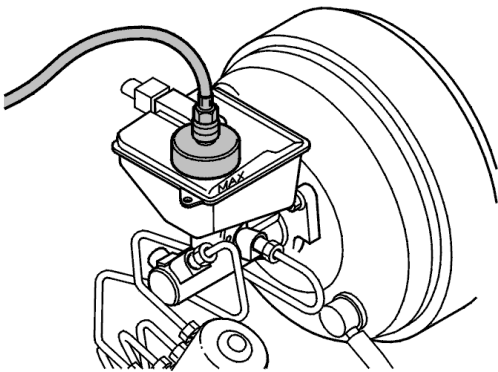
Check for leakage from the bleed nipples.

#### **Depressurise the brake system**

Close the cock on the pressure line. Open a nipple and close it again.

#### **Checking for air in the brake system and for brake fluid leakage**

See Brake pipe master cylinder / ABS unit, replacing: Checking for air in the brake system and for brake fluid leakage



16/7/2018

**PRINT**