

XC90, 2007, D5244T4, TF-80SC
 AWD, L.H.D, YV1CM714671338226, 338226

12/1/2013



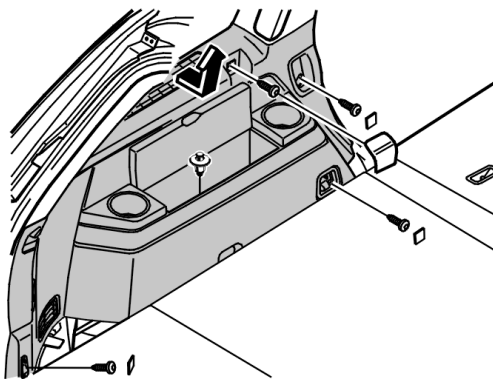
PRINT

Side panel cargo compartment, replacement

Note! The illustrations in this service information are used for different model years and/or models. Some variation may occur. However, the essential information in the illustrations is always correct.

Side panel cargo compartment (seven seater version), replacement

Removing the side panel cargo compartment (seven seater version)



Remove:

- the outer cargo compartment floor
- the compartment in the rear edge of the side panel
- four covers
- four screws
- one clip
- any air conditioning (A/C) controls.

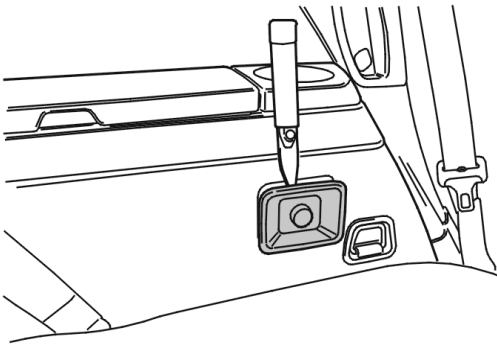
Detach the lower edges of the C and D panels.
 Pull off the side panel and place it to one side.

Transferring components

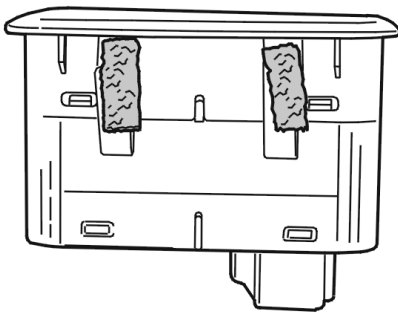
When replacing the side panel with air conditioning (A/C)

controls with a new side panel, the old air conditioning (A/C) controls must be transferred to the new side panel.

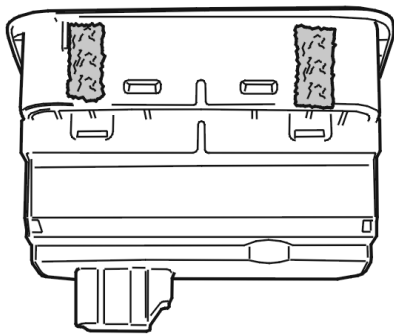
Note! On vehicles up to and including chassis number 134247, the following adjustment must be carried out on the transferred air conditioning (A/C) controls.



Remove the air conditioning (A/C) controls from the side panel. Disconnect the connector on the reverse.



Cut six 8 x 20 mm pieces of felt material with P/N 116 1691. Apply two pieces of felt to the top of each lug.

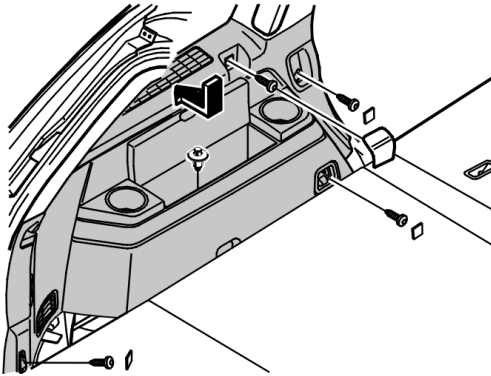


Apply a piece of felt to the bottom of each lug.

Installing the side panel cargo compartment (seven seater

version)

Note! For tightening torques, see Tightening torque .



Lift the side panel.

Note! If the vehicle is equipped with rear air conditioning (A/C) the cable harness for the air conditioning (A/C) controls must be routed through the hole for the air conditioning (A/C) controls on the side panel.

Note! The front edge of the side panel must protrude in front of the sill trim panel of the rear side door.

Secure:

- the side panel
- the C and D panels at the lower edges.

Install:

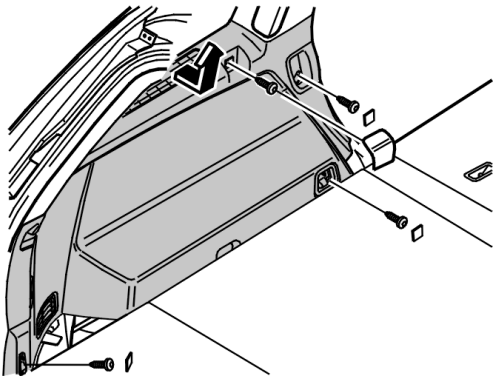
- any air conditioning (A/C) controls
- the clip
- the 2 x M8 (load securing eyes) screws. Tighten
- the 2 x covers
- the 2 x M6 screws (the upper mountings). Tighten
- the 2 x covers
- the compartment in the rear edge of the side panel
- the outer cargo compartment floor.

Side panel cargo compartment (five seater version), replacement

Removing the side panel cargo compartment (five seater version)

Remove:

- the outer cargo compartment floor
- the compartment in the rear edge of the side panel
- four covers

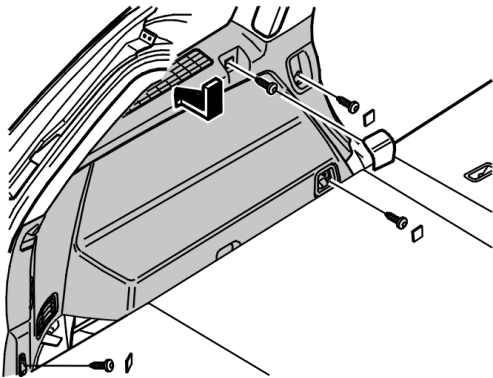


- four screws.

Detach the lower edges of the C and D panels.
Pull off the side panel and place it to one side.

Installing the side panel cargo compartment (five seater version)

Note! For tightening torques, see Tightening torque .



Lift the side panel.

Note! The front edge of the side panel must protrude in front of the sill trim panel of the rear side door.

Secure:

- the side panel
- the C and D panels at the lower edges.

Install:

- the 2 x M8 (load securing eyes) screws. Tighten
- the 2 x covers
- the 2 x M6 screws (the upper mountings). Tighten
- the 2 x covers
- the compartment in the rear edge of the side panel
- the outer cargo compartment floor.

12/1/2013

PRINT